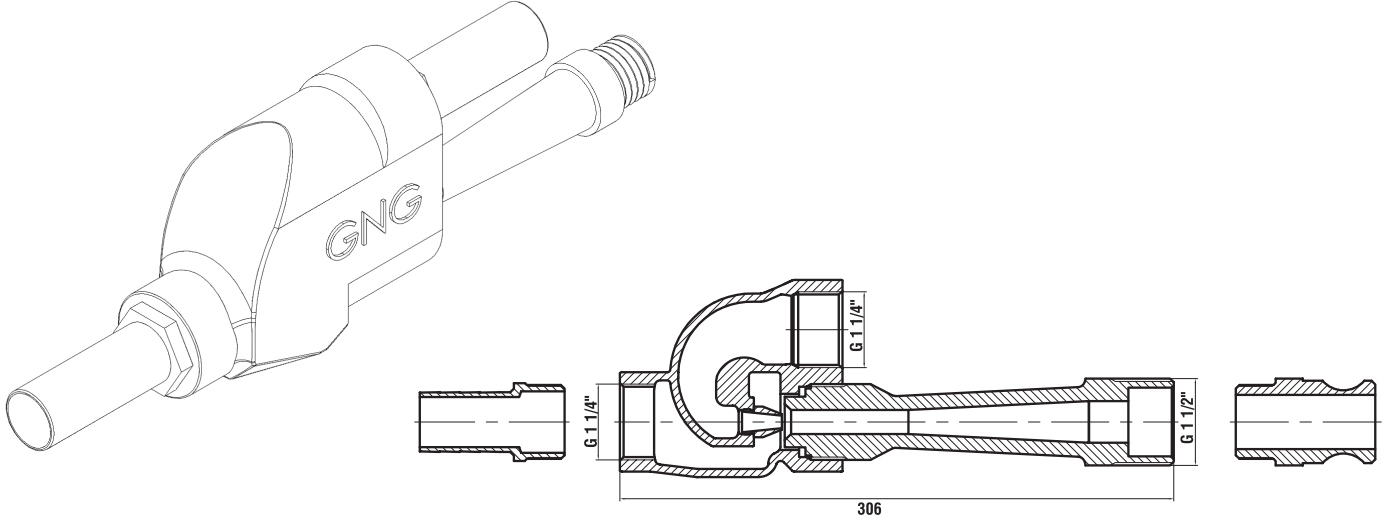


► Portatif Ejektör (Bronz)  
Portable Ejector (Bronze)



**Uygulama Alanları / Applications**

Deniz Suyu, Tatlı Su  
Sea Water, Fresh Water

NO	PARÇA ADI	PART NAME	MATERIAL
1	GÖVDE	BODY	RG5
2	DİFÜZÖR	DIFFUSOR	RG5
3	NOZUL	NOZZLE	AISI 316L

**UYGULAMA ALANLARI / APPLICATIONS**

DENİZ SUYU VE TATLI SU / SEA WATER AND FRESH WATER

ANMA ÇAP / DIM.	DN1	DN2	DN3	KG
1 1/4" x 1 1/4" x 1 1/2"	32	32	40	4

DN	SUCTION CAPACITY	REQUIRED DRIVING PRESSURE AGAIST VARIOUS DISCHARGE HEADS				
1 1/4" x 1 1/4" x 1 1/2"	5m <sup>3</sup> /h	5m	10m	15m	20m	25m
		5bar	6.5bar	8bar	10bar	12bar