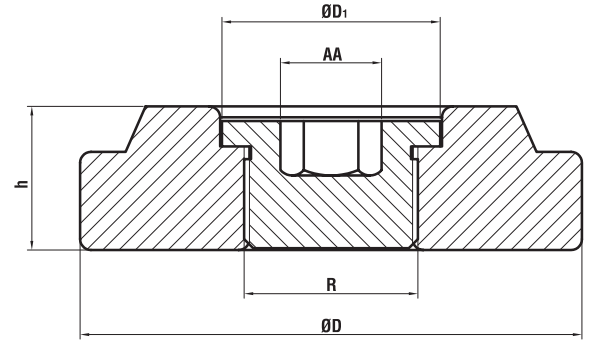
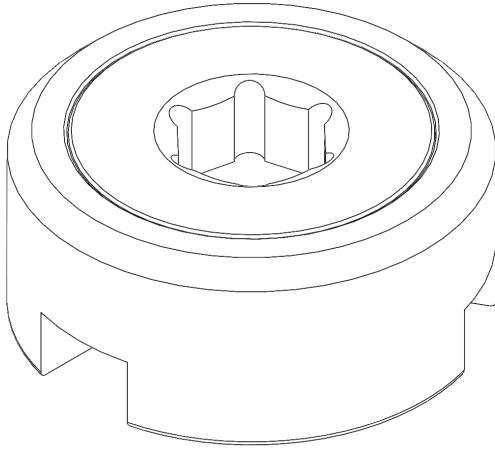


▶ Lavra Tapası
Drain Plug



NO	PARÇA ADI	PART NAME	MATERIAL
1	GÖVDE	BODY	SAE 1040
2	TAPA	PLUG	AISI 316

ØD	ØD1	h	AA	L	KG
100	60	40	25	R 1 1/2"	2.1
140	60	40	25	R 1 1/2"	3.65
160	60	40	25	R 1 1/2"	5.35
180	70	40	25	R 2"	6.1
200	70	40	25	R 2"	8