

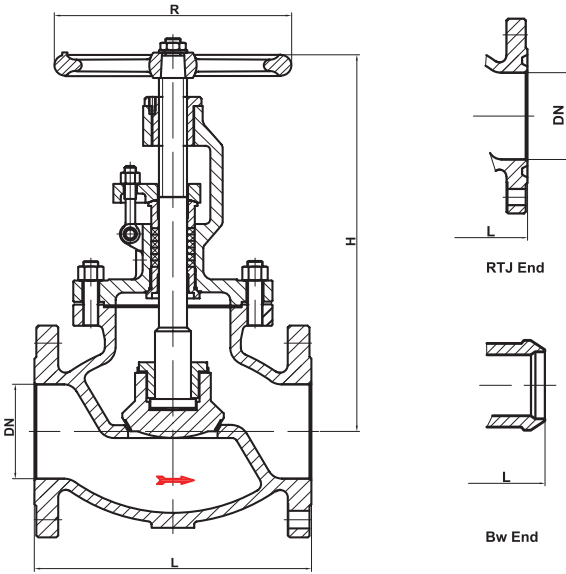
**Glob Vana (Class 150/300/600)**  
*Globe Valve (Class 150/300/600)*

**Uygulama Alanları / Applications**

Sıcak Su, Soğuk Su, Buhar, Kimyasal Akışkanlar, Yağ, Doğalgaz, Petrol, Isıtma - Soğutma Havaladırma  
*Hot Water, Cold Water, Steam, Chemical Fluids, Oil, Natural Gas, Hvac, Etc.*

**Teknik Özellikler / Technical Property**

Bağlantılar / Ends: ANSI B16.5  
 Face to Face: ANSI B16.10



NO	PARÇA ADI	PART NAME	MATERIAL
1	GÖVDE	BODY+SEAT	ASTM A216+wcb+13Cr
2	KLAPE	DISC	ASTM A105+13Cr
3	MİL	STEM	ASTM A182 F6a
4	KAPAK CİVATASI	BONNET BOLT	ASTM A193 B7
5	KAPAK SOMUNU	BONNET NUT	ASTM A194 2H
6	CONTA	GASKET	AISI 304+GRAPHITE
7	ALT SİT BURCU	BACK SEAT BUSHING	ASTM A182 F6a
8	KAPAK	BONNET	ASTM A216 WCB
9	SALMASTRA	PACKING	GRAPHITE
10	PİM	PIN	ASTM A276 410
11	GLEN	GLAND	ASTM A182 F6a
12	GLEN FLANŞI	GLAND FLANGE	ASTM A216 WCB
13	GLEN CİVATASI	GLAND EYEBOLT	ASTM A193 B7
14	GLEN SOMUNU	GLAND NUT	ASTM A194 2H
15	BOYUN SOMUNU	YOKE NUT	ZCuL10Fe3
16	HENDİL	HANDWHEEL	DUCTILE IRON
17	HENDİL SOMUNU	HANDWHEEL NUT	AISI 1020

CLASS	DN	H	R	L			KG
				RF	RTJ	BW	
150	15	182	100	108	119	108	4
	20	193	100	117	130	117	6
	25	217	100	127	140	127	8
	32	235	135	140	152	140	12
	40	258	135	165	178	165	16
	50	330	200	203	216	203	25
	65	360	250	216	229	216	42
	80	390	280	241	254	241	46
	100	445	300	292	305	292	74
	125	480	350	356	369	356	111
	150	520	350	406	419	406	165
	200	600	400	495	508	495	275
300	250	773	450	622	635	622	400
	300	880	500	698	711	698	624
	15	185	100	152	164	152	5
	20	195	100	178	191	178	7
	25	220	135	203	216	203	10
	32	240	135	216	229	216	14
	40	260	160	229	241	229	19
	50	385	200	267	283	267	25
	65	420	200	292	308	292	42
	80	440	280	318	333	318	46
	100	515	350	356	371	356	74
	125	580	350	400	416	400	111
600	150	660	400	444	460	444	165
	200	900	550	559	575	559	275
	250	950	600	622	638	622	400
	300	1030	700	711	727	711	624
	50	360	250	292	295	292	32
	65	410	280	330	333	330	42
	80	465	300	356	359	356	63
	100	545	400	432	435	432	107
	125	625	500	508	511	508	185
	150	785	550	559	562	559	290
	200	930	650	660	664	660	540