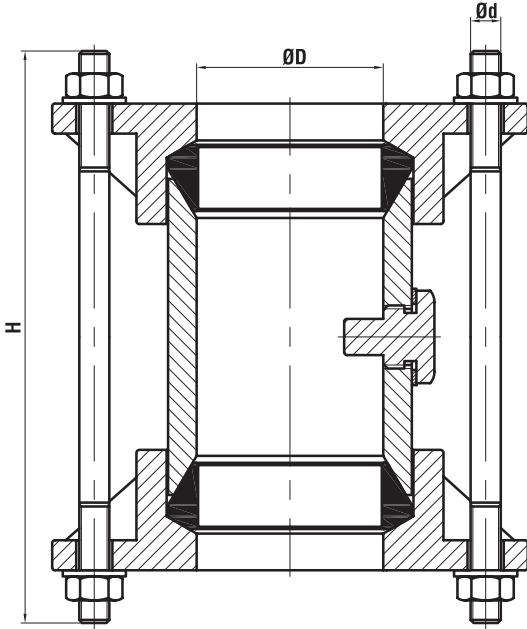


Boru Baęlama Kaplini

Pipe Coupling

Uygulama Alanları / Applications

Balans Devresi, Yangın Devresi, Elektrik Kablo Devresi
Balast Pipe Line, Fire Pipe Line, Electrical Pipe Line,



NO	PARA ADI	PART NAME	MATERIAL
1	GÖVDE	BODY	GGG40.3
2	BORU	PIPE	ST42
3	PUL	WASHER	COPPER
4	TAPA	PLUG	AISI 316
5	CONTA	GASKET	NBR
6	SAPLAMA	STUD	6.8 STEEL
7	SOMUN & PUL	NUT & WASHER	5.2 STEEL

DN	PN	ØD	H	Ødxn	KG
50	16	62	190	M10x4	5.35
65	16	79	190	M10x4	7.4
80	16	91	190	M10x4	7.85
100	16	117	190	M10x4	9.1
125	16	144	190	M10x6	12
150	16	171	210	M12x6	15
200	16	222	210	M12x8	20
250	16	276	220	M14x8	27
300	16	327	240	M14x10	32
350	6	360	290	M16x10	45
400	6	411	300	M18x10	-
450	6	461	300	M18x10	-
500	6	515	300	M18x10	-