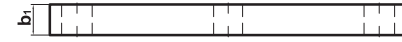
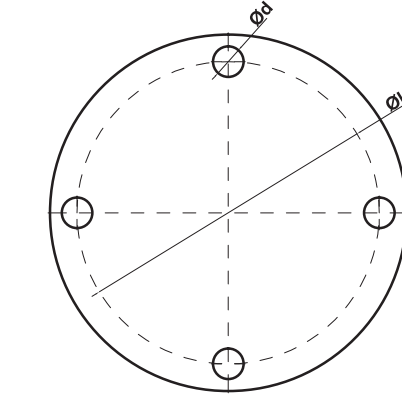
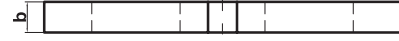
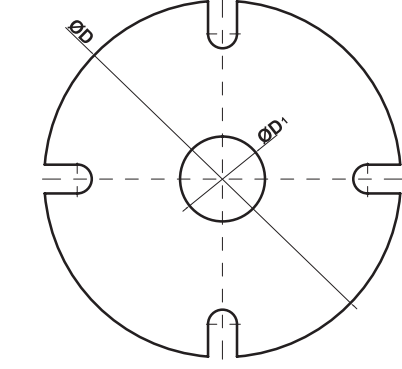
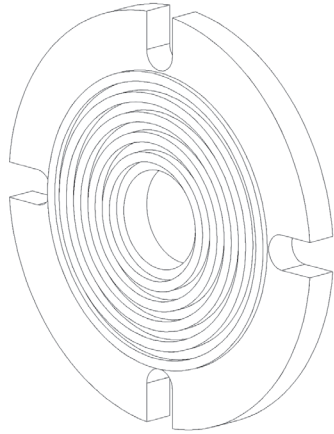
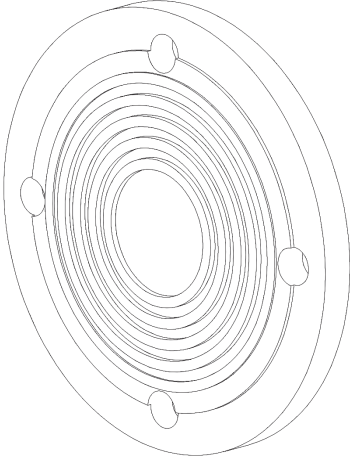


► **Beynelmilel Flanş**
International Shore Connection



Tipi	ØD	ØD1	Øk	Ød	b	b1	n	KG
PİS SU BEYNELMİNEL FLANŞI DIRTY WATER INTERNATIONAL FLANGE	210	50	170	18	16	16	4	8
MAZOT BEYNELMİNEL FLANŞI DIZEL OIL INTERNATIONAL FLANGE	215	50	178	18	18	18	4	9.6
KİRLİ YAĞ BEYNELMİNEL FLANŞI DIRTY OIL INTERNATIONAL FLANGE	215	50	183	22	20	18	6	9.5
TATLI SU BEYNELMİNEL FLANŞI FRESH WATER INTERNATIONAL FLANGE	185	50	145	18	18	18	5	6.8
YANGIN BEYNELMİNEL FLANŞI FIRE INTERNATIONAL FLANGE	178	50	132	19	18	18	4	6

n: Yarik sayısı / Split of number