

Metal K r kl  Vana (D z Tip)

Metal Bellow Sealed Globe Valve (Straight Type)

Uygulama Alanları / Applications

Buhar, Sıcak Su, Termal Akışkan, Kızgın Yağ
Steam, Hot Water, Thermal Fluids Hot Oil

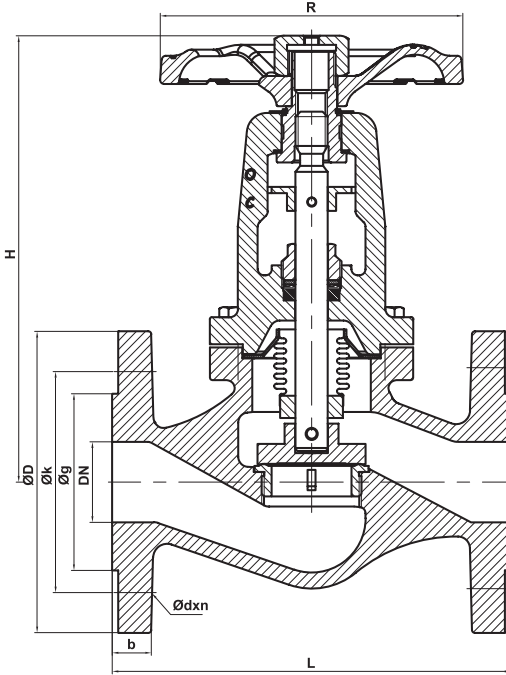
Teknik Özellikler / Technical Property

Çalışma Şartları / Working Conditions: DIN 2401

Bağlantılar / Ends: DIN 1092-2

Çalışma Basıncı / Working Pressure: PN16/PN25/PN40

Face to Face Dimensions: TS EN 558-1



| NO | PARÇA ADI | PART NAME | PN16 MALZEME MATERIAL | PN25 MALZEME MATERIAL |
|----|-------------------|--------------------|-----------------------|-----------------------|
| 1 | GÖVDE | BODY | GG25 | GGG40.3 |
| 2 | ŞİT | SEAT | AISI 420 | AISI 420 |
| 3 | KAPAK | BONNET | GG25 | GGG40.3 |
| 4 | MİL | STEM | AISI 420 | AISI 420 |
| 5 | KÖRÜK | BELLOWS | AISI 316Ti | AISI 316Ti |
| 6 | CONTA | GASKET | GRAPHITE | GRAPHITE |
| 7 | SALMASTRA | PACKING | GRAPHITE | GRAPHITE |
| 8 | PUL | WASHER | ST37 | ST37 |
| 9 | PUL | WASHER | SPRING ST. | SPRING ST. |
| 10 | KAPAK BURCU | BONNET BUSH | STEEL | STEEL |
| 11 | SEGMAN | RETAINING RING | SPRING ST. | SPRING ST. |
| 12 | İNDİKATÖR | INDICATOR | STEEL | STEEL |
| 13 | PİM | PIN | AISI 304 | AISI 304 |
| 14 | SALMASTRA BASKISI | PACKING JOINT | STEEL | STEEL |
| 15 | KLAPE | DISC | AISI 420 | AISI 420 |
| 16 | SARMA PİM | SPRING PIN | AISI 304 | AISI 304 |
| 17 | HENDİL | HANDWHEEL | GG25 | GG25 |
| 18 | HENDİL SOMUNU | HANDWHEEL NUT | STEEL | STEEL |
| 19 | ÇİVATA | BOLT | 8.8 STEEL GALV. | 8.8 STEEL GALV. |
| 20 | SETSKUR | GRUP SCREW | 8.8 STEEL | 8.8 STEEL |
| 21 | GRESÖRLÜK | LUBRICATING NIPPLE | STEEL | STEEL |

| DN | L | ØR | H | PN16 | | | | | | PN25 | | | | | | PN40 | | | | | | KG |
|-----|-----|-----|-----|------|-----|-----|----|----|----|------|-----|-----|----|----|----|------|-----|-----|----|----|----|------|
| | | | | ØD | Øk | Øg | b | n | Ød | ØD | Øk | Øg | b | n | Ød | ØD | Øk | Øg | b | n | Ød | |
| 15 | 130 | 125 | 190 | 95 | 65 | 45 | 14 | 4 | 14 | 95 | 65 | 45 | 16 | 4 | 14 | 95 | 65 | 45 | 16 | 4 | 14 | 4.6 |
| 20 | 150 | 125 | 190 | 105 | 75 | 58 | 16 | 4 | 14 | 105 | 75 | 58 | 18 | 4 | 14 | 105 | 75 | 58 | 18 | 4 | 14 | 5.35 |
| 25 | 160 | 125 | 195 | 115 | 85 | 68 | 16 | 4 | 14 | 115 | 85 | 68 | 18 | 4 | 14 | 115 | 85 | 68 | 18 | 4 | 14 | 6.25 |
| 32 | 180 | 125 | 195 | 140 | 100 | 78 | 18 | 4 | 18 | 140 | 100 | 78 | 20 | 4 | 18 | 140 | 100 | 78 | 20 | 4 | 18 | 7.2 |
| 40 | 200 | 150 | 220 | 150 | 110 | 88 | 18 | 4 | 18 | 150 | 110 | 88 | 20 | 4 | 18 | 150 | 110 | 88 | 20 | 4 | 18 | 11.2 |
| 50 | 230 | 150 | 225 | 165 | 125 | 102 | 20 | 4 | 18 | 165 | 125 | 102 | 22 | 4 | 18 | 165 | 125 | 102 | 22 | 4 | 18 | 15 |
| 65 | 290 | 175 | 240 | 185 | 145 | 122 | 20 | 4 | 18 | 185 | 145 | 122 | 24 | 8 | 18 | 185 | 145 | 122 | 24 | 8 | 18 | 20.6 |
| 80 | 310 | 175 | 260 | 200 | 160 | 138 | 22 | 8 | 18 | 200 | 160 | 138 | 26 | 8 | 18 | 200 | 160 | 138 | 26 | 8 | 18 | 23.6 |
| 100 | 350 | 225 | 315 | 220 | 180 | 158 | 24 | 8 | 18 | 235 | 190 | 162 | 28 | 8 | 22 | 235 | 190 | 162 | 28 | 8 | 22 | 36.5 |
| 125 | 400 | 225 | 420 | 250 | 210 | 188 | 26 | 8 | 18 | 270 | 220 | 188 | 30 | 8 | 28 | 270 | 220 | 188 | 30 | 8 | 25 | 55 |
| 150 | 480 | 300 | 500 | 285 | 240 | 212 | 26 | 8 | 22 | 300 | 250 | 218 | 34 | 8 | 28 | 300 | 250 | 218 | 34 | 8 | 25 | 77.5 |
| 200 | 600 | 500 | 550 | 340 | 295 | 268 | 30 | 12 | 22 | 360 | 310 | 278 | 34 | 12 | 28 | 375 | 320 | 285 | 40 | 12 | 30 | 140 |