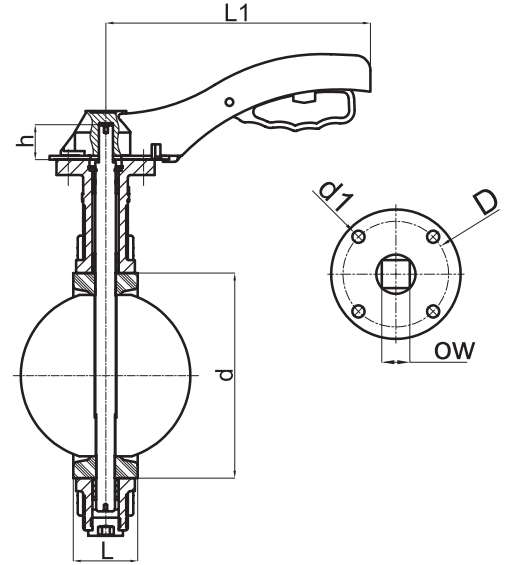
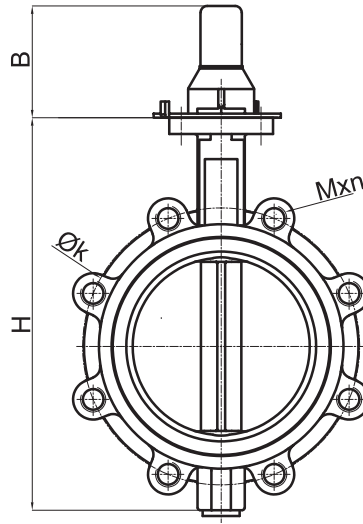
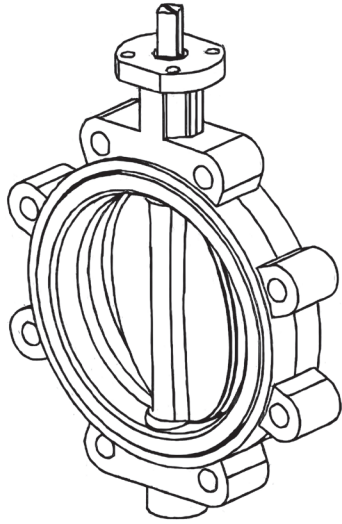


► **Lug Tip Kelebek Vana (DN40-DN200)**
Lug Type Butterfly Valve (DN40-DN200)



Uygulama Alanları / Applications

Su, Deniz Suyu, Atık Su, Hava, Yağ, Toz, Gaz, vb.
Water, Sea Water, Waste Water, Air, Oil, Gas, etc.

Teknik Özellikler / Technical Property

Bağlantılar / Ends: 1092-2
 Çalışma Basıncı / Working Pressure: PN16

Çalışma Sıcaklığı / Working Temp

NBR: -10°C / +82°C
 EPDM: -10°C / +110°C
 PTFE: -20°C / +150°C
 VITON: -20°C / +150°C
 NR: -20°C / +82°C

NO	PARÇA ADI	PART NAME	MATERIAL
1	GÖVDE	BODY	GG25/GGG40/WCB/RG5-10/SS316
2	UZUN BURÇ	LONG BUSHING	PTFE
3	MİL	STEM	AISI420/BRASS
4	CONTA	GASKET	NBR/VITON/PTFE/EPDM/NR/SİLİKON/SBR
5	KLAPE	DISC	ALU-BRONZE/SS316/DI/SS304
6	KISA BURÇ	SHORT BUSHING	PTFE
7	O RİNG	O RING	NBR/VITON
8	PUL	WASHER	GR.33
9	SEGMAN	CIRCLIP	GR.33
10	KOL	LEVER	ST42 / ALUMINIUM
11	CİVATA	BOLT	STEEL

DN	H	L1	D	d1	W	d	L	h	B	PN10		PN16		5K		10K		KG
										Øk	nxM	Øk	nxM	Øk	nxM	Øk	nxM	
40	198	172	50	7	9	72	35	23	68	110	4xM16	110	4xM16	95	4xM12	105	4xM16	2.3
50	198	172	50	7	9	76	46	23	68	125	4xM16	125	4xM16	105	4xM12	120	4xM16	2.8
65	218	172	50	7	9	89	49	23	68	145	8xM16	145	8xM16	130	4xM12	140	4xM16	3.4
80	233	172	50	7	9	104	49	23	68	160	8xM16	160	8xM16	145	4xM16	150	8xM16	4.5
100	270	218	70	10	11	135	55	23	82	180	8xM16	180	8xM16	165	8xM16	175	8xM16	6.2
125	303	218	70	10	14	159	59	25	82	210	8xM16	210	8xM16	200	8xM16	210	8xM20	8.3
150	340	218	70	10	14	188	59	25	82	240	8xM20	240	8xM20	230	8xM16	240	8xM20	10.1
200	400	322	102	12	17	238	64	36	84	295	8xM20	295	12xM20	280	8xM20	290	12xM20	17.5