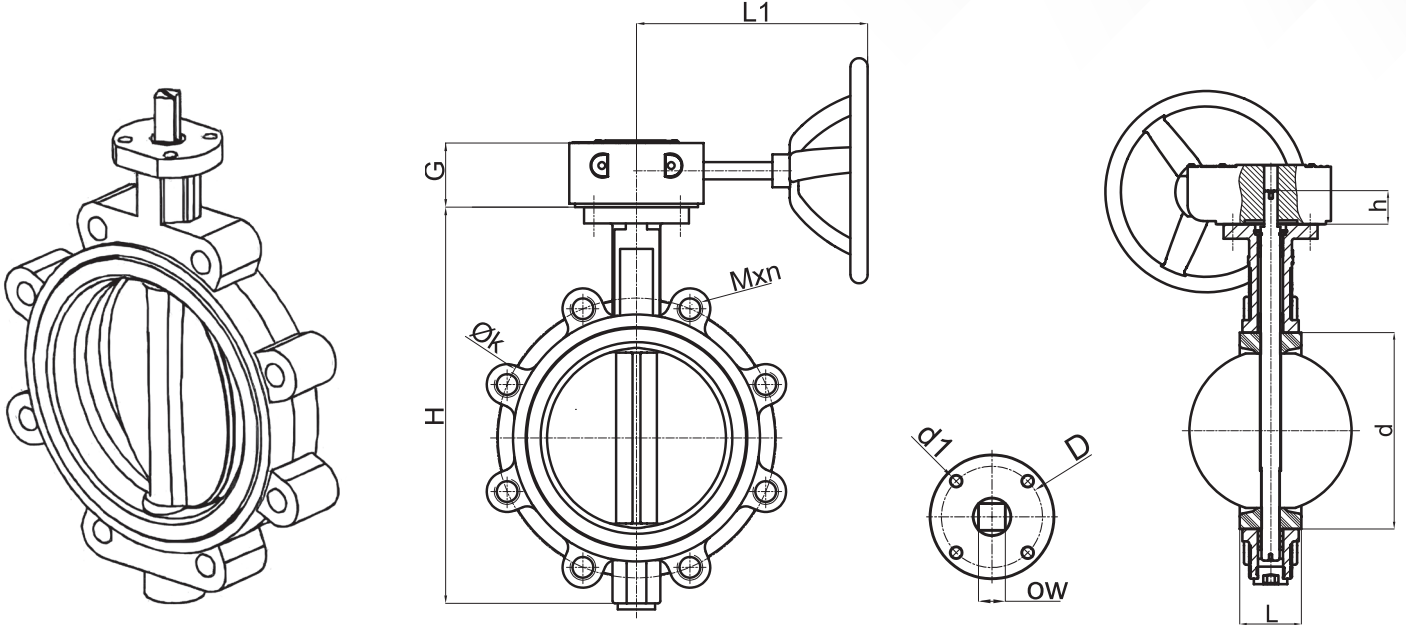


Lug Tip Kelebek Vana (DN250-DN700)

Lug Type Butterfly Valve (DN250-DN700)



Uygulama Alanları / Applications

Su, Deniz Suyu, Atık Su, Hava, Yağ, Toz, Gaz, vb.
Water, Sea Water, Waste Water, Air, Oil, Gas, etc.

Teknik Özellikler / Technical Property

Bağlantılar / Ends: 1092-2

Çalışma Basıncı / Working Pressure: PN16

Çalışma Sıcaklığı / Working Temp

NBR: -10°C / +82°C

EPDM: -10°C / +110°C

PTFE: -20°C / +150°C

VITON: -20°C / +150°C

NR: -20°C / +82°C

NO	PARÇA ADI	PART NAME	MATERIAL
1	GÖVDE	BODY	GG25/GGG40/WCB/RG5-10/SS316
2	UZUN BURÇ	LONG BUSHING	PTFE
3	MİL	STEM	AISI420/BRASS
4	CONTA	GASKET	NBR/VITON/PTFE/EPDM/NR/SİLİKON/SBR
5	KLAPE	DISC	ALU-BRONZE/SS316/DI/SS304
6	KISA BURÇ	SHORT BUSHING	PTFE
7	O RING	O RING	NBR/VITON
8	PUL	WASHER	GR.33
9	SEGMAN	CIRCLIP	GR.33
10	REDÜKTÖR	GEAR BOX	GGG40
11	ÇİVATA	BOLT	STEEL

DN	H	L1	D	d1	W	d	L	h	B	PN10		PN16		5K		10K		KG
										Øk	nxM	Øk	nxM	Øk	nxM	Øk	nxM	
250	470	260	102	12	22	292	72	38	75	350	12xM20	355	12xM24	345	12xM20	355	12xM22	26.2
300	540	260	102	12	22	344	81	38	75	400	12xM20	410	12xM24	390	12xM20	400	16xM22	42.7
350	610	260	125	14	22	375	79	44	75	460	16xM20	470	16xM24	435	12xM22	445	16xM22	74
400	680	310	140	18	27	440	107	52	90	515	16xM24	525	16xM27	495	16xM22	510	16xM24	118
450	740	310	140	18	27	491	120	52	90	565	20xM24	585	20xM27	555	16xM22	565	20xM24	140
500	820	310	140	18	36	535	133	57	90	620	20xM24	650	20xM30	605	20xM22	620	20xM24	179
550	880	256	165	22	36	604.5	157	70	125	675	20xM24	680	20xM30	665	20xM24	680	20xM30	170
600	1037	337	165	22	36	654	159	70	125	725	20xM27	770	20xM33	715	20xM24	730	24xM30	272
700	1142	359	254	18	46	744	170	66	149	840	24xM27	840	24xM33	820	24xM24	840	24xM30	300