

## Glob Vana (Gönye Tip)

*Globe Valve (Angle Type)*

### Uygulama Alanları / Applications

Deniz Suyu, Tatlı Su, Yağ ve 220°C Buhar Devrelerinde  
Sea Water, Fresh Water, Oil and Steam up to 220°C Systems

### Teknik Özellikler / Technical Property

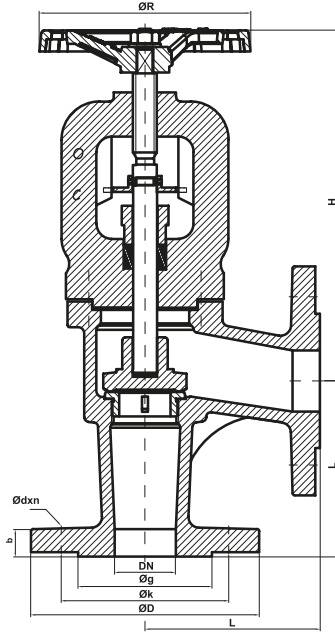
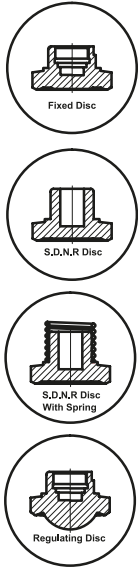
Çalışma Şartları / Working Conditions: DIN 2401

Bağlantılar / Ends: DIN 1092-2

Çalışma Sıcaklığı / Working Temp.: -10°C / 220°C

Çalışma Basıncı / Working Pressure: PN16/PN25/PN40

Face to Face Dimensions: TS EN 558-1



NO	PARÇA ADI	PART NAME	MATERIAL
1	GÖVDE	BODY	GG25/GGG40.3/GS-C25/ RG5-10/CF8/CF8M
2	SİT	SEAT	BRONZE / AISI 420
3	MİL	STEM	AISI420 / Ms58
4	İNDİKATÖR	INDICATOR	ST37
5	KAPAK	BONNET	GG25/GGG40.3/GS-C25/ RG5-10/CF8/CF8M
6	KLAPE	DISC	RG5 / AISI 420
7	CONTA	GASKET	KLİGERİT / GRAPHİTE
8	SETUSKUR	SCREW	AISI 304
9	SALMASTRA	PACKING	GRAPHİTE
10	GLEN	GLAND	GGG40.3
11	T CİVATA	T BOLT	6.8 STEEL
12	CİVATA	BOLT	8.8 STEEL
13	HENDİL	HANDWHEEL	GG25
14	SOMUN&PUL	NUT&WASHER	STEEL

DN	ØD	Øk	Øg	L	b	ØR	H	Ødxn	KG
15	95	65	45	90	14	110	184	14x4	5
20	105	75	58	95	16	110	184	14x4	6
25	115	85	68	100	16	110	197	14x4	7
32	140	100	78	105	18	140	200	18x4	8
40	150	110	88	115	18	140	232	18x4	10
50	165	125	102	125	20	160	235	18x4	13
65	185	145	122	145	20	160	248	18x4	17
80	200	160	138	155	22	200	287	18x8	21
100	220	180	158	175	24	220	320	18x8	36
125	250	210	188	200	26	250	340	18x8	54
150	285	240	212	225	26	300	405	22x8	72
200	340	295	268	275	30	400	440	22x12	116
250	405	355	320	325	32	500	510	26x12	169
300	460	410	370	375	32	500	575	26x12	240
350	520	470	430	425	36	500	775	26x16	325
400	580	525	482	475	38	500	840	29,5x16	394