

## Çift Flanşlı Kelebek Vana

Double Flanged Butterfly Valve

### Uygulama Alanları / Applications

Su, Deniz Suyu, Atık Su, Hava, Yağ, Toz, Gaz, vb.  
Water, Sea Water, Waste Water, Air, Oil, Gas, etc.

### Teknik Özellikler / Technical Property

Bağlantılar / Ends: 1092-2

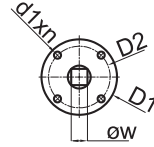
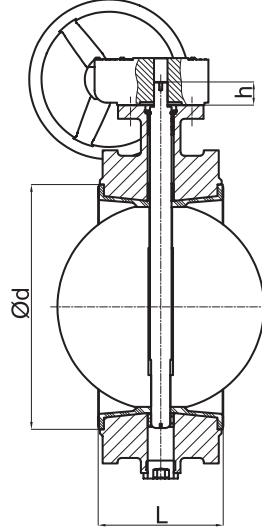
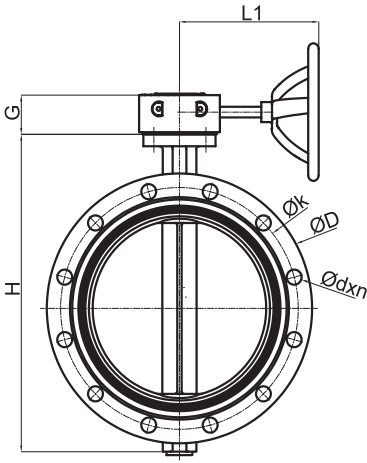
Çalışma Basıncı / Working Pressure: PN16

### Çalışma Sıcaklığı / Working Temp

NBR: -10°C / +82°C

EPDM: -10°C / +110°C

NO	PARÇA ADI	PART NAME	MATERIAL
1	GÖVDE	BODY	GGG40/RG5-10
2	UZUN BURÇ	LONG BUSHING	PTFE
3	MİL	STEM	AISI 416/BRASS
4	CONTA	GASKET	NBR/EPDM
5	KLAPE	DISC	SS316/ALU-BRONZE
6	KISA BURÇ	SHORT BUSHING	PTFE
7	O RİNG	O RING	NBR/EPDM
8	PUL	WASHER	GR.33
9	SEGMAN	CIRCLIP	GR.33
10	DIŞLİ KUTUSU	GEAR BOXES	GGG40
11	CİVATA	BOLT	STEEL



DN	ØD	Øk	H	d	L	L1	Ødxn	D1	D2	W	Ød1xn	h	G	KG
40	150	110	201	80	110	160	18x4	65	50	9	7x4	23	70	10
50	165	125	203	99	112	160	18x4	65	50	9	7x4	23	70	11
65	185	145	223	118	116	160	18x8	65	50	9	7x4	23	70	13.5
80	200	160	245	132	118	160	18x8	65	50	9	7x4	23	70	14
100	220	180	269	156	127	160	18x8	90	70	11	10x4	23	70	17.5
125	250	210	295	184	140	160	18x8	90	70	14	10x4	25	70	22
150	285	240	333	211	140	160	22x8	90	70	14	10x4	25	70	25.5
200	340	295	375	266	152	160	22x12	125	102	17	12x4	30	75	39.5
250	405	355	433	319	165	255	26x12	125	102	22	12x4	38	75	52.5
300	460	410	503	370	178	260	26x12	125	102	22	12x4	38	75	67
350	520	470	589	429	190	260	26x16	150	125	22	12x4	44	75	91
400	580	525	640	480	216	310	30x16	175	140	27	18x4	50	90	141
450	640	585	720	530	222	310	30x20	175	140	27	18x4	52	90	182
500	715	650	785	582	229	310	33x20	175	140	36	18x4	57	90	200
600	780	725	940	720	267	256	31x20	210	165	36	22x4	70	125	350
700	895	840	1070	794	292	337	31x24	300	254	46	18x8	66	149	375
800	1015	950	1150	871	318	359	33x24	300	254	46	18x8	66	155	400
900	1115	1050	1323	1001	330	359	34x28	300	254	60	18x8	90	155	700
1000	1230	1160	1425	1080	410	359	36x28	300	254	60	18x8	90	155	850