

Glob Vana (Düz Tip)

Globe Valve (Straight Type)

Uygulama Alanları / Applications

Deniz Suyu, Tatlı Su, Yağ ve 220°C Buhar Devrelerinde
Sea Water, Fresh Water, Oil and Steam up to 220°C Systems

Teknik Özellikler / Technical Property

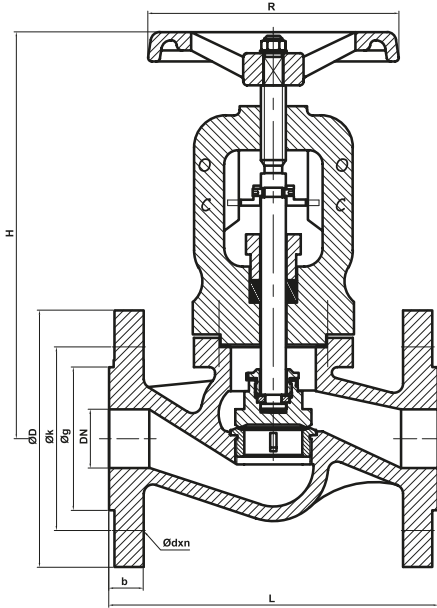
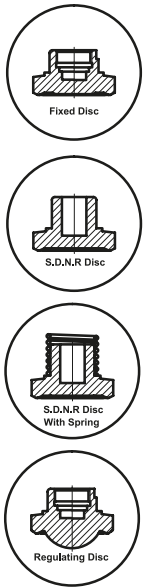
Çalışma Şartları / Working Conditions: DIN 2401

Bağlantılar / Ends: DIN 1092-2

Çalışma Sıcaklığı / Working Temp.: -10°C / 220°C

Çalışma Basıncı / Working Pressure: PN16/PN25/PN40

Face to Face Dimensions: TS EN 558-1



NO	PARÇA ADI	PART NAME	MATERIAL
1	GÖVDE	BODY	GG25/GGG40.3/GS-C25/RG5-10/CF8/CF8M
2	SİT	SEAT	BRONZE / AISI 420
3	MİL	STEM	AISI420 / Ms58
4	İNDİKATÖR	INDICATOR	ST37
5	KAPAK	BONNET	GG25/GGG40.3/GS-C25/RG5-10/CF8/CF8M
6	KLAPE	DISC	RG5 / AISI 420
7	RİNG	RING	RG5 / AISI 420
8	EMNİYET PULU	WASHER SAFETY	Ms58 / AISI 420
9	TESPİT VİDASI	SECURING SCREW	RG5 / AISI 304
10	CONTA	GASKET	KLİGERİT / GRAPHITE
11	SETUSKUR	SCREW	AISI 304
12	SALMASTRA	PACKING	GRAPHITE
13	GLEN	GLAND	GGG40.3
14	T ÇİVATA	T BOLT	6.8 STEEL
15	ÇİVATA	BOLT	8.8 STEEL
16	HENDİL	HANDWHEEL	GG25
17	SOMUN&PUL	NUT&WASHER	STEEL

DN	ØD	Øk	Øg	L	b	ØR	H	Ødxn	KG
15	95	65	45	130	14	110	202	14x4	5
20	105	75	58	150	16	110	202	14x4	6
25	115	85	68	160	16	110	211	14x4	7
32	140	100	78	180	18	140	216	18x4	8
40	150	110	88	200	18	140	249	18x4	11
50	165	125	102	230	20	160	254	18x4	14
65	185	145	122	290	20	160	271	18x4	19
80	200	160	138	310	20	200	311	18x8	23
100	220	180	158	350	24	220	344	18x8	37
125	250	210	188	400	26	250	420	18x8	55
150	285	240	212	480	26	300	498	22x8	78
200	340	295	268	600	30	400	550	22x12	140
250	405	355	320	730	32	500	585	26x12	200
300	460	410	370	850	32	500	640	26x12	250
350	520	470	430	980	36	500	875	26x16	385
400	580	525	482	1100	38	500	955	29,5x16	408